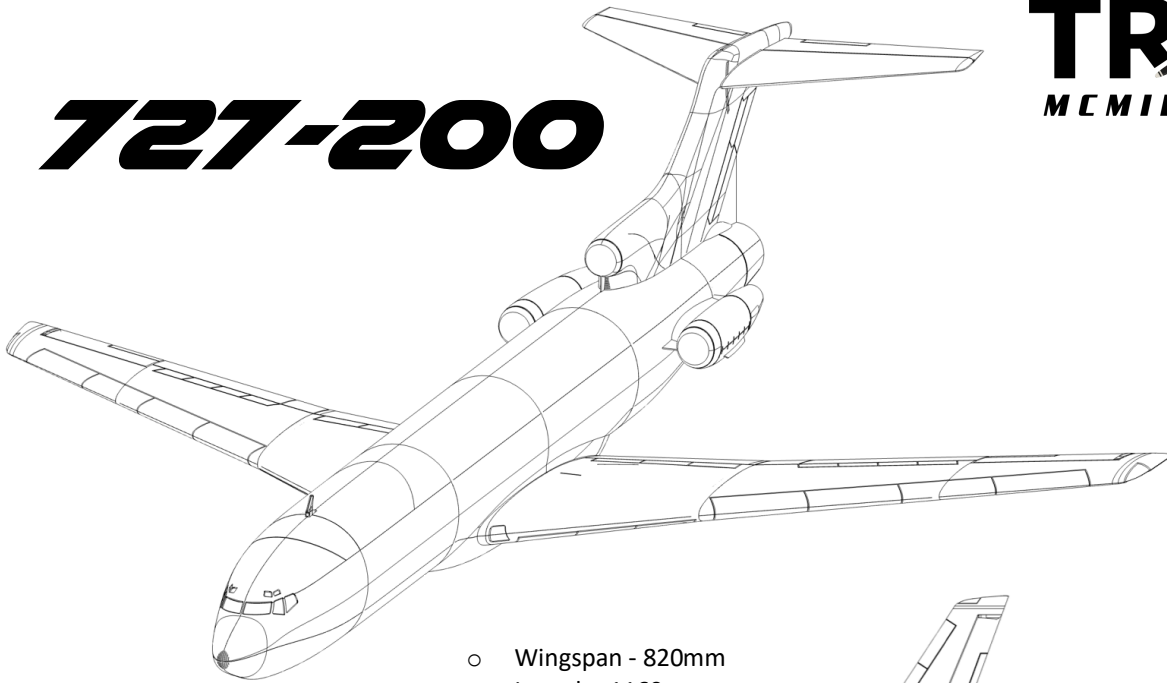
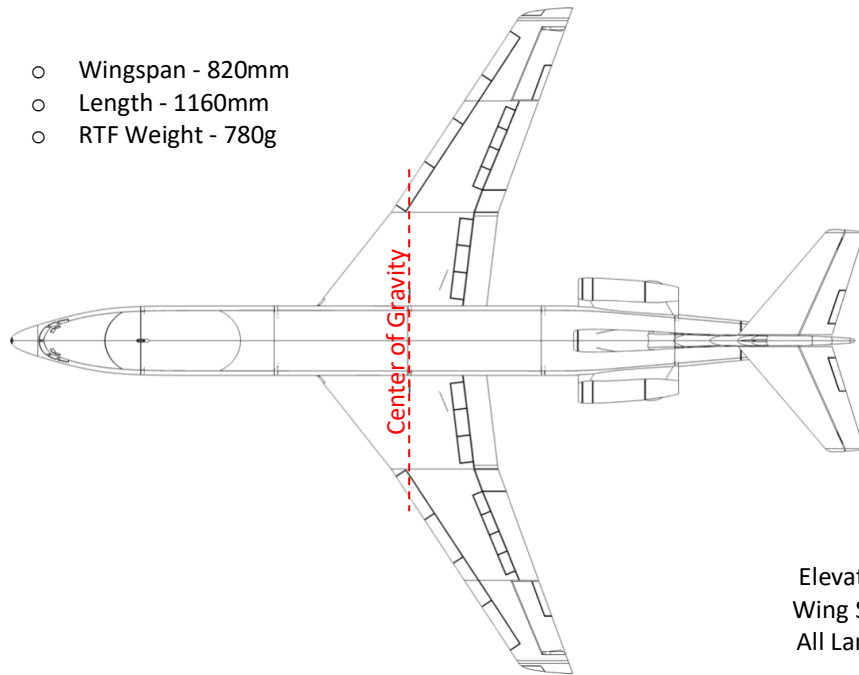


727-200



- Wingspan - 820mm
- Length - 1160mm
- RTF Weight - 780g



PARTS LIST

PROFILE #1

- Cover 1
- Cover 2
- F1
- F2
- F3
- F4
- F5
- F6
- F7
- Left Elevator
- Right Elevator
- Left H Stab
- Right H Stab
- Left Aileron
- Right Aileron
- Left Wing 1
- Left Wing 2
- Left Wing 3
- Right Wing 1
- Right Wing 2
- Right Wing 3
- Left Flaps 1
- Left Flaps 2
- Right Flaps 1
- Right Flaps 2

PROFILE #2

- Battery Latch
- Elevator Control Horn
- Wing Servo Connector
- All Landing Gear Parts
- All Stencils

Materials Required

- 1x 50mm EDF
- 1x 40amp ESC
- 1x 4s 2200mah Battery
- 3x 30cm ESC Extension Cables
- 4x 9g Servos
- 1x Pen Spring
- 2x 2x8mm Screws
- 1x 8mmx370mm Carbon Fiber Tube
- 2x 3mmx378mm Carbon Fiber Tube
- 1.19mm Music Wire
- Velcro

Print Settings	Profile #1		Profile #2
	PLA	LW-PLA	PLA
Layer Height	0.2	0.2	0.2
Line Width	0.42	0.42	0.42
Wall Line Count	1	1	3
Print Thin Walls	YES	YES	YES
Minimum Feature Size	0.001	0.001	0.001
Top Layers	0	0	6
Bottom Layers	0	0	4
Infill Density	0%	0%	10%
Infill Pattern	N/A	N/A	Gyroid
Printing Temp	215	235	215
Build Plate Temp	60	60	60
Flow	102%	55%	102%
Print Speed	55	55	55
Enable Print Cooling	YES	YES	YES
Fan Speed	50%	50%	50%
Generate Support	NO	NO	NO
Spiralize Outer Contour	YES	YES	NO